

2016 Product Brochure

Table of Contents

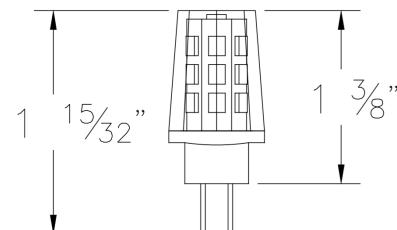
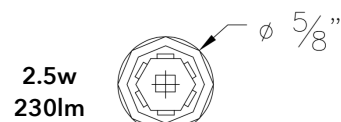
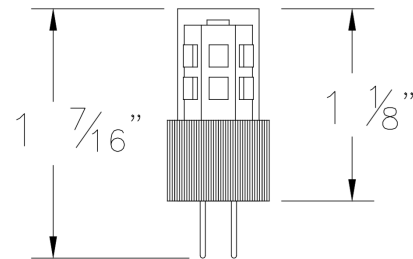
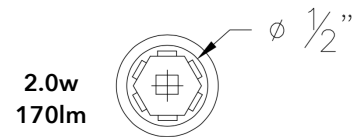
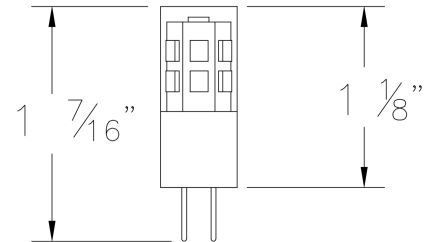
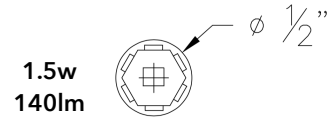
G-4 Series	2 - 4
G-9 Series	5 - 6
E-11 Series	7
E-12 Series	8 - 9
BA15s Series	10
Dimmable Series	11 - 13



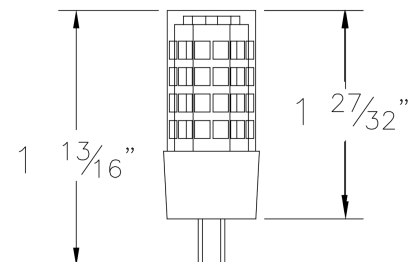
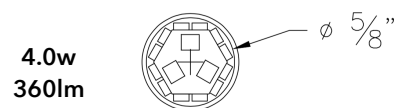
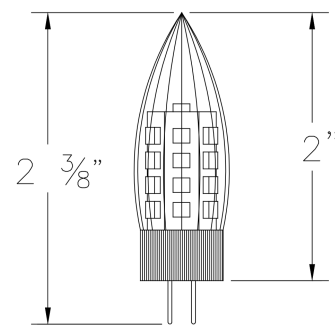
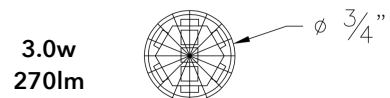
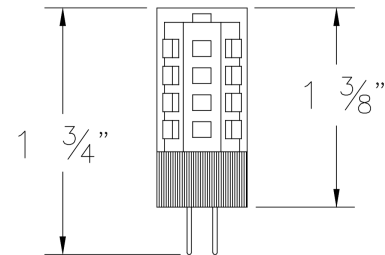
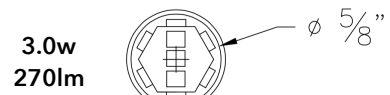
EmeryAllen, LLC is a privately held company located in the heart of South Carolina. With over 30 years of experience in the lighting industry, we have been able to establish worldwide product development, manufacturing and distribution relationships which have translated into the highest quality products for our customers at an incredible value. Our passion for developing new products has culminated in the creation of the most well-rounded miniature LED lamps on the market.

EmeryAllen miniature LED retrofit lamps are energy efficient alternatives to halogen/incandescent lamps. They exceed the light output of most halogen/incandescent lamps and are suitable for use in most fixtures.

Its long life (25,000 hours > 10x standard lamps) is ideal for bath lights, ceiling fixtures, chandeliers, landscape lighting, outdoor lighting, pendants, under cabinet lighting and other lighting applications.



© 2015 EmeryAllen, LLC. All Rights Reserved.
Actual product may vary slightly from description. All products, product specifications and data are subject to change without notice in order to improve reliability function, design, or otherwise.
Patented May 2015, other patents pending.



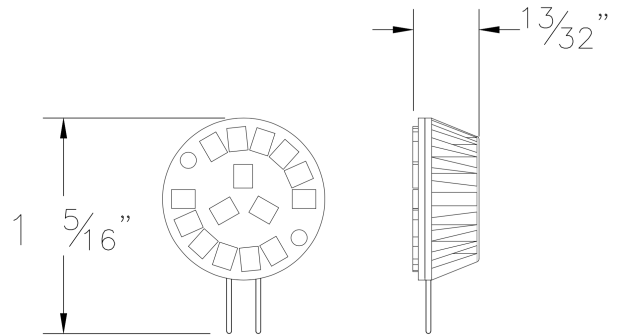
Specifications/Features:

- Part Number: EA-G4-(wattage)-001
(enter 002 for candle-shape lamp)
- Base Type: G4
- Material: Ceramic & Polycarbonate
- Input Voltage: 12v AC/DC Nominal
(10v - 15v actual)
- CRI: > 80 Standard
(> 90 as special order)
- Lumens/Watt: > 100lm/w
- Color Temperature: 2700k, 3000k Standard
(4000k & 6000k as special order)
- Beam Angle: 360 degrees
- Lifespan: 25,000 hours
- Warranty: 5 years / 2 years
- Dimmable with most magnetic transformers

© 2015 EmeryAllen, LLC. All Rights Reserved.
Actual product may vary slightly from description. All products, product specifications and data are subject to change without notice in order to improve reliability function, design, or otherwise.
Patented May 2015, other patents pending.



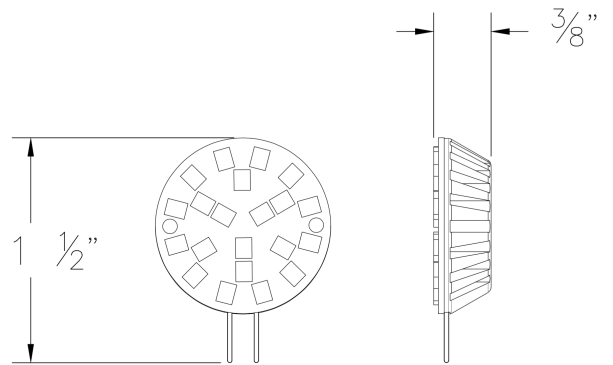
2.0w
170lm



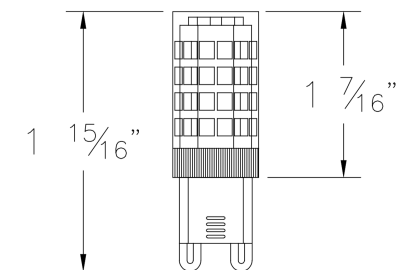
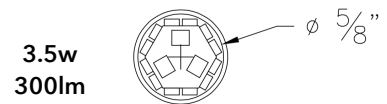
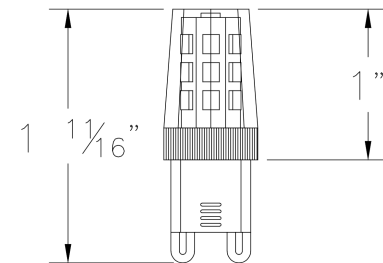
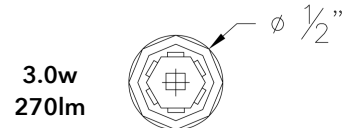
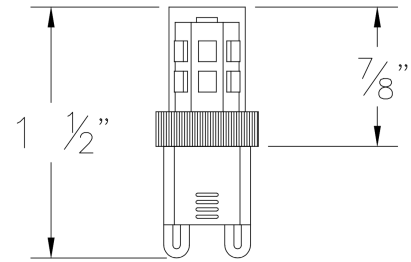
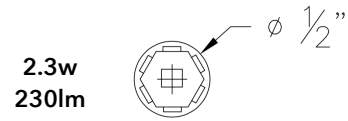
Specifications/Features:

- Part Number: EA-G4-(wattage)-001
(enter 003 for wafer-shape lamp)
- Base Type: G4
- Material: Ceramic
- Input Voltage: 12v AC/DC Nominal
(10v - 15v actual)
- CRI: > 80 Standard
(> 90 as special order)
- Lumens/Watt: > 100lm/w
- Color Temperature: 2700k, 3000k Standard
(4000k & 6000k as special order)
- Beam Angle: 180 degrees
- Lifespan: 25,000 hours
- Warranty: 5 years / 2 years
- Dimmable with most magnetic transformers

3.0w
270lm



© 2015 EmeryAllen, LLC. All Rights Reserved.
Actual product may vary slightly from description. All products, product specifications and data are subject to change without notice in order to improve reliability function, design, or otherwise.
Patented May 2015, other patents pending.

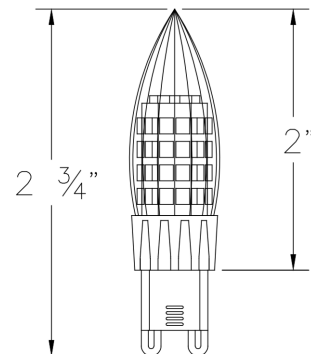
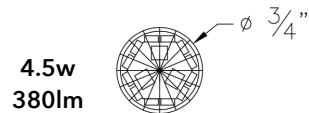
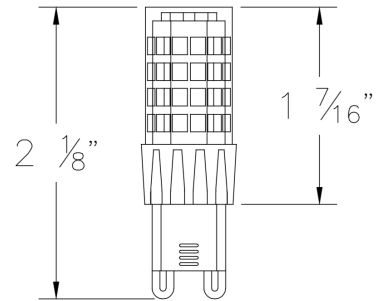
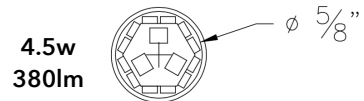
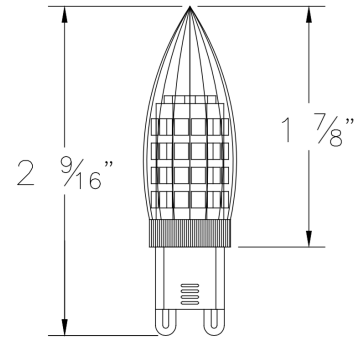
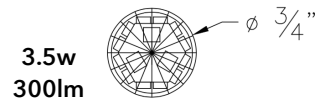


© 2015 EmeryAllen, LLC. All Rights Reserved.
Actual product may vary slightly from description. All products, product specifications and data are subject to change without notice in order to improve reliability function, design, or otherwise.
Patented May 2015, other patents pending.

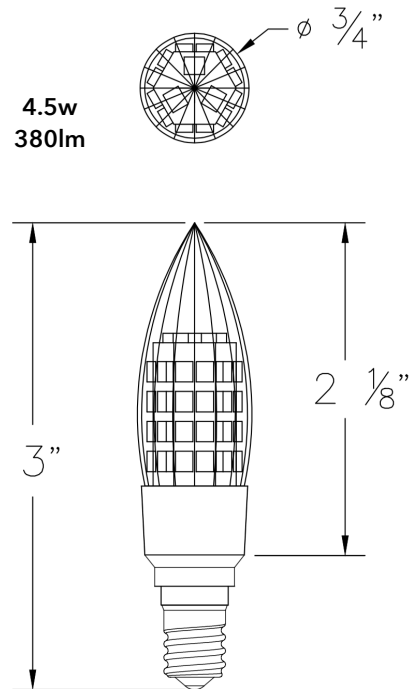
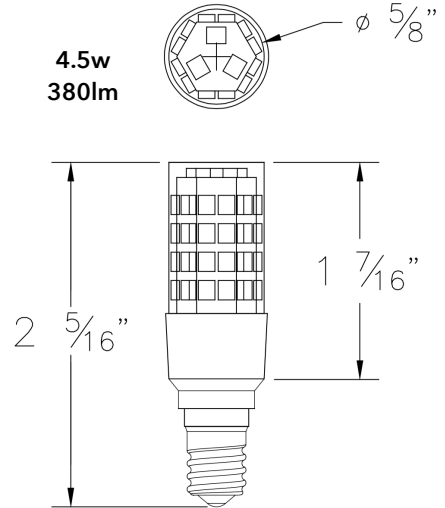


Specifications/Features:

- Part Number: EA-G9-(wattage)-001
(enter 002 for candle-shape lamp)
- Base Type: G9
- Material: Ceramic & Polycarbonate
- Input Voltage: 100-120v AC
- CRI: > 80
(> 90 as special order)
- Lumens/Watt: > 100lm/w
- Color Temperature: 2700k, 3000k Standard
(4000k & 6000k as special order)
- Beam Angle: 360 degrees
- Lifespan: 25,000 hours
- Warranty: 5 years / 2 years
- Non-dimmable



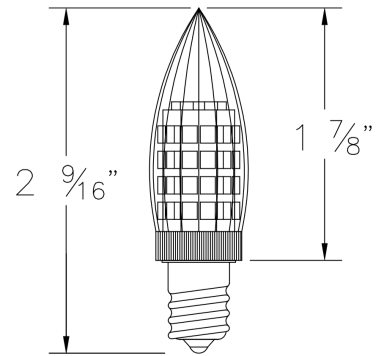
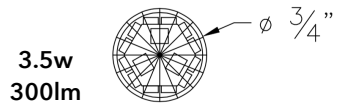
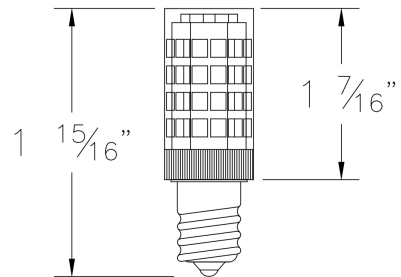
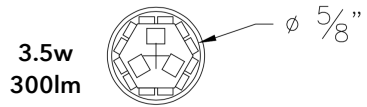
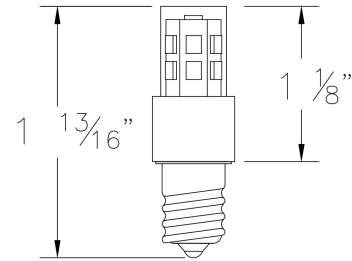
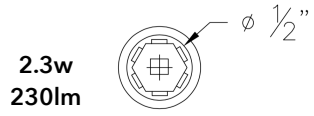
© 2015 EmeryAllen, LLC. All Rights Reserved.
Actual product may vary slightly from description. All products, product specifications and data are subject to change without notice in order to improve reliability function, design, or otherwise.
Patented May 2015, other patents pending.



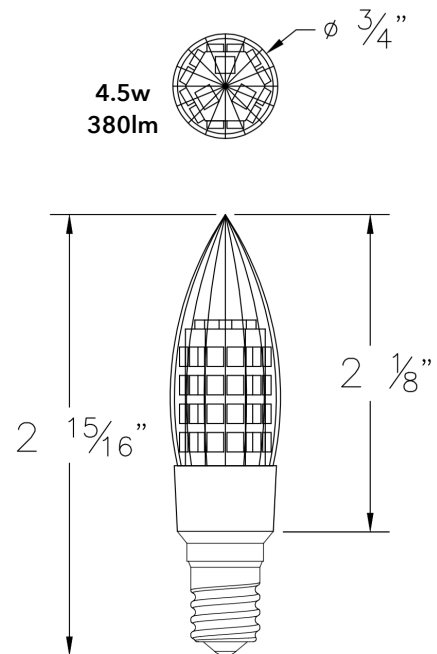
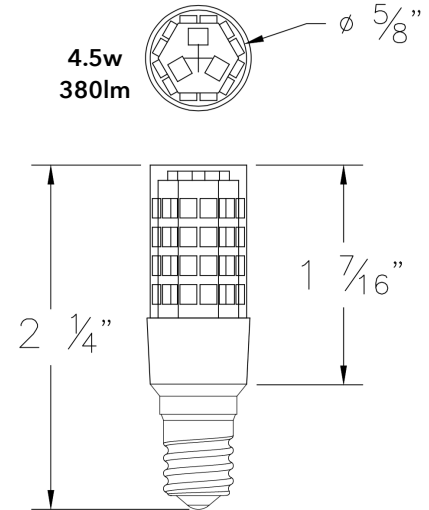
Specifications/Features:

- Part Number: EA-E11-(wattage)-001
(enter 002 for candle-shape lamp)
- Base Type: E11
- Material: Ceramic & Polycarbonate
- Input Voltage: 100-120v AC
- CRI: > 80
(> 90 as special order)
- Lumens/Watt: > 100lm/w
- Color Temperature: 2700k, 3000k Standard
(4000k & 6000k as special order)
- Beam Angle: 360 degrees
- Lifespan: 25,000 hours
- Warranty: 5 years / 2 years
- Non-dimmable

© 2015 EmeryAllen, LLC. All Rights Reserved.
Actual product may vary slightly from description. All products, product specifications and data are subject to change without notice in order to improve reliability function, design, or otherwise.
Patented May 2015, other patents pending.



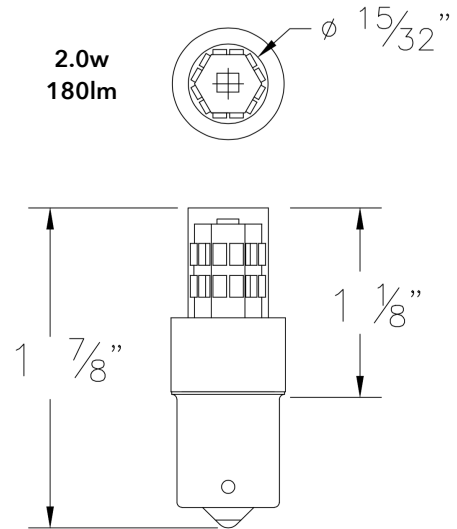
© 2015 EmeryAllen, LLC. All Rights Reserved.
Actual product may vary slightly from description. All products, product specifications and data are subject to change without notice in order to improve reliability function, design, or otherwise.
Patented May 2015, other patents pending.



Specifications/Features:

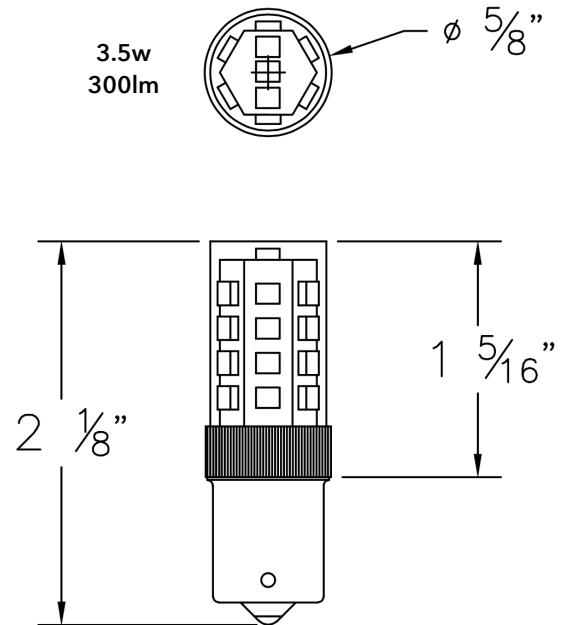
- Part Number: EA-E12-(wattage)-001
(enter 002 for candle-shape lamp)
- Base Type: E12
- Material: Ceramic & Polycarbonate
- Input Voltage: 100-120v AC
- CRI: > 80
(> 90 as special order)
- Lumens/Watt: > 100lm/w
- Color Temperature: 2700k, 3000k Standard
(4000k & 6000k as special order)
- Beam Angle: 360 degrees
- Lifespan: 25,000 hours
- Warranty: 5 years / 2 years
- Non-dimmable

© 2015 EmeryAllen, LLC. All Rights Reserved.
Actual product may vary slightly from description. All products, product specifications and data are subject to change without notice in order to improve reliability function, design, or otherwise.
Patented May 2015, other patents pending.

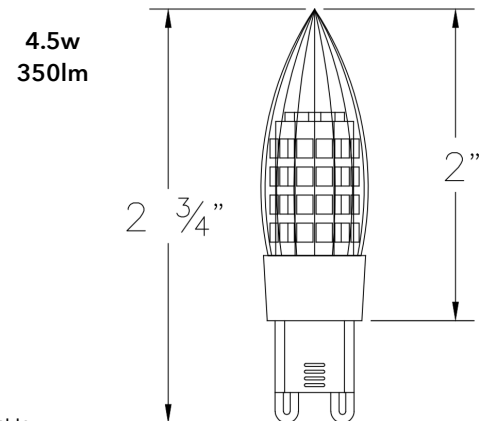
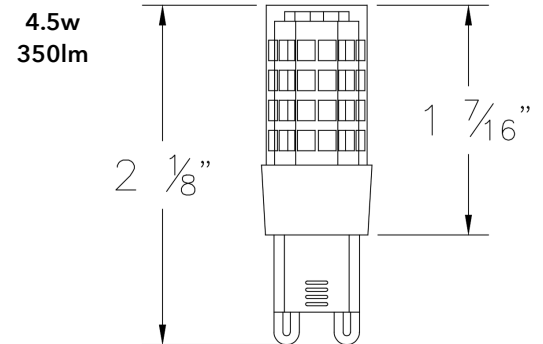
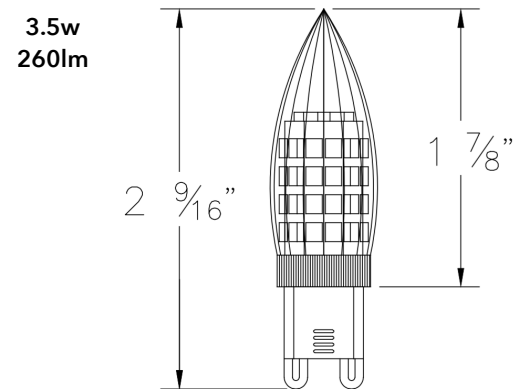
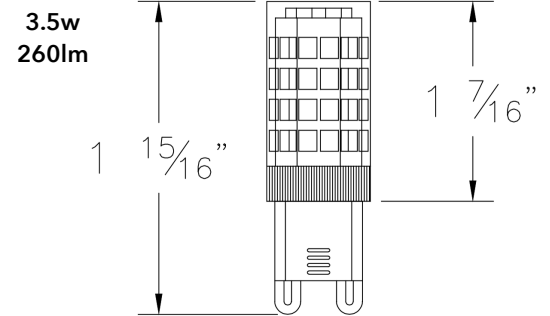


Specifications/Features:

- Part Number: EA-BA15s-(wattage)-001
- Base Type: BA15s (single contact)
- Material: Ceramic & Polycarbonate
- Input Voltage: 12v AC/DC Nominal (10v - 15v actual)
- CRI: > 80 (> 90 as special order)
- Lumens/Watt: > 100lm/w
- Color Temperature: 2700k, 3000k Standard (4000k & 6000k as special order)
- Beam Angle: 360 degrees
- Lifespan: 25,000 hours
- Warranty: 5 years / 2 years
- Dimmable with most magnetic transformers



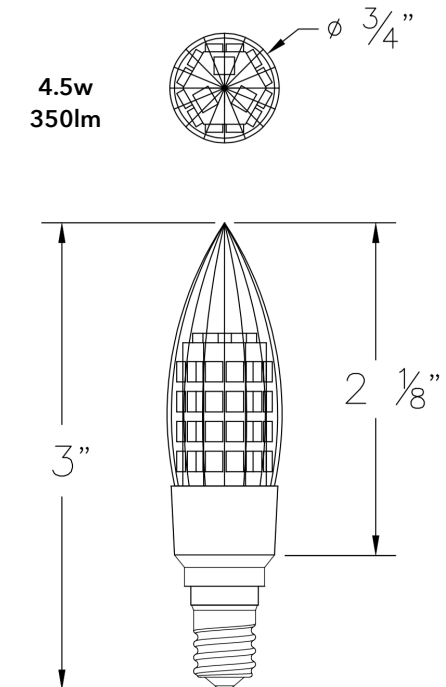
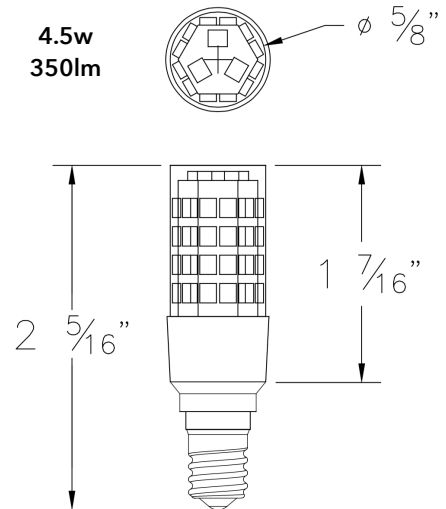
© 2015 EmeryAllen, LLC. All Rights Reserved.
Actual product may vary slightly from description. All products, product specifications and data are subject to change without notice in order to improve reliability function, design, or otherwise.
Patented May 2015, other patents pending.



Specifications/Features:

- Part Number: EA-G9-(wattage)-001-D
(enter 002 for candle-shape lamp)
- Base Type: G9
- Material: Ceramic & Polycarbonate
- Input Voltage: 100-120v AC
- CRI: > 80
(> 90 as special order)
- Lumens/Watt: > 85lm/w
- Color Temperature: 2700k, 3000k Standard
(4000k & 6000k as special order)
- Beam Angle: 360 degrees
- Lifespan: 25,000 hours
- Warranty: 5 years / 2 years
- Dimmable

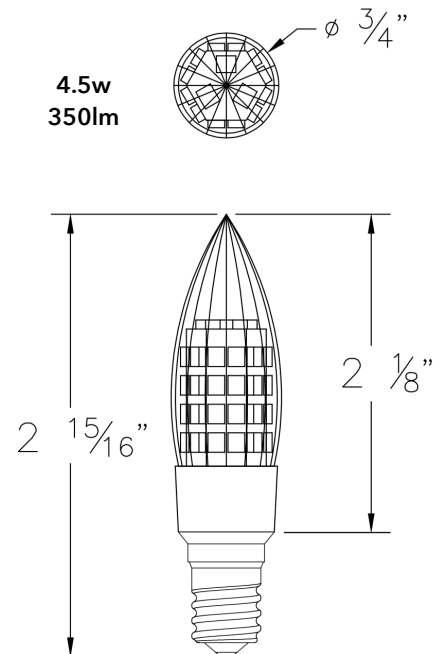
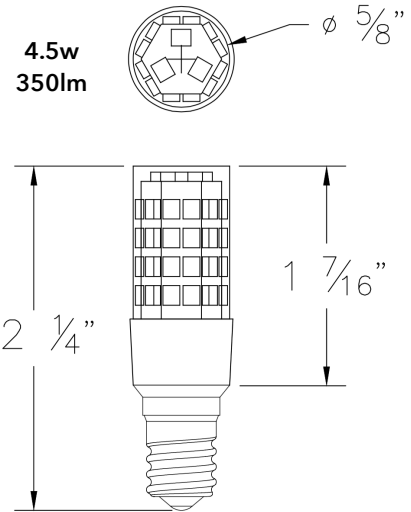
© 2015 EmeryAllen, LLC. All Rights Reserved.
 Actual product may vary slightly from description. All products, product specifications and data are subject to change without notice in order to improve reliability function, design, or otherwise.
 Patented May 2015, other patents pending.



Specifications/Features:

- Part Number: EA-E11-(wattage)-001-D
(enter 002 for candle-shape lamp)
- Base Type: E11
- Material: Ceramic & Polycarbonate
- Input Voltage: 100-120v AC
- CRI: > 80
(> 90 as special order)
- Lumens/Watt: > 85lm/w
- Color Temperature: 2700k, 3000k Standard
(4000k & 6000k as special order)
- Beam Angle: 360 degrees
- Lifespan: 25,000 hours
- Warranty: 5 years / 2 years
- Dimmable

© 2015 EmeryAllen, LLC. All Rights Reserved.
Actual product may vary slightly from description. All products, product specifications and data are subject to change without notice in order to improve reliability function, design, or otherwise.
Patented May 2015, other patents pending.



Specifications/Features:

- Part Number: EA-E12-(wattage)-001-D
(enter 002 for candle-shape lamp)
- Base Type: E12
- Material: Ceramic & Polycarbonate
- Input Voltage: 100-120v AC
- CRI: > 80
(> 90 as special order)
- Lumens/Watt: > 85lm/w
- Color Temperature: 2700k, 3000k Standard
(4000k & 6000k as special order)
- Beam Angle: 360 degrees
- Lifespan: 25,000 hours
- Warranty: 5 years / 2 years
- Dimmable

© 2015 EmeryAllen, LLC. All Rights Reserved.
Actual product may vary slightly from description. All products, product specifications and data are subject to change without notice in order to improve reliability function, design, or otherwise.
Patented May 2015, other patents pending.



© 2015 EmeryAllen, LLC. All Rights Reserved

Product images are for illustration purposes only. The information contained in this brochure is designed to be as factual and accurate as possible. All product sizes are nominal. Products may vary slightly from their respective descriptions. All products, product specifications and performance data may change without notice to improve reliability, function or design. The designs reproduced by the printing process in this brochure have been matched as closely as possible. All text, images, graphics, and other materials in this publication are subject to the copyright and other intellectual property rights of EmeryAllen, LLC. These materials may not be reproduced, distributed, modified or reposted without the express written consent of EmeryAllen, LLC.

Charleston, SC (843) 789-0904

EmeryAllen.com

